

GIANCARLO RESIDENCE  
36 EUCLID AVE.  
ATHERTON, CA

SUSTAINABLE DESIGN AND  
PRODUCT MANAGEMENT  
122 FAIRMOUNT AVENUE  
SANTA CRUZ, CA 95062  
PHONE: (831) 459-7300  
sustainabledesignpm.com

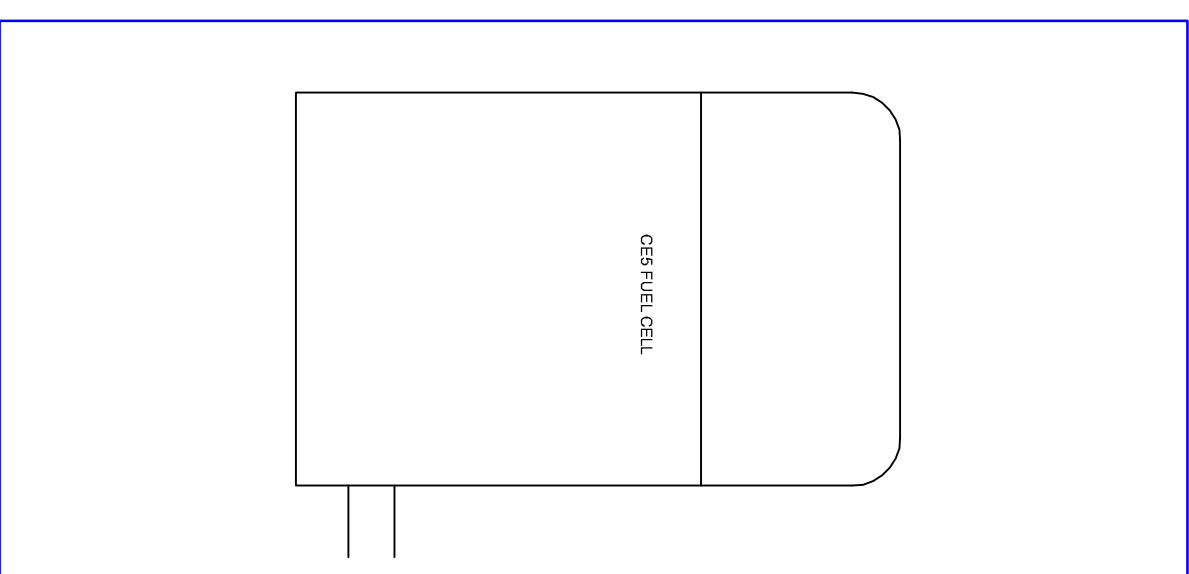
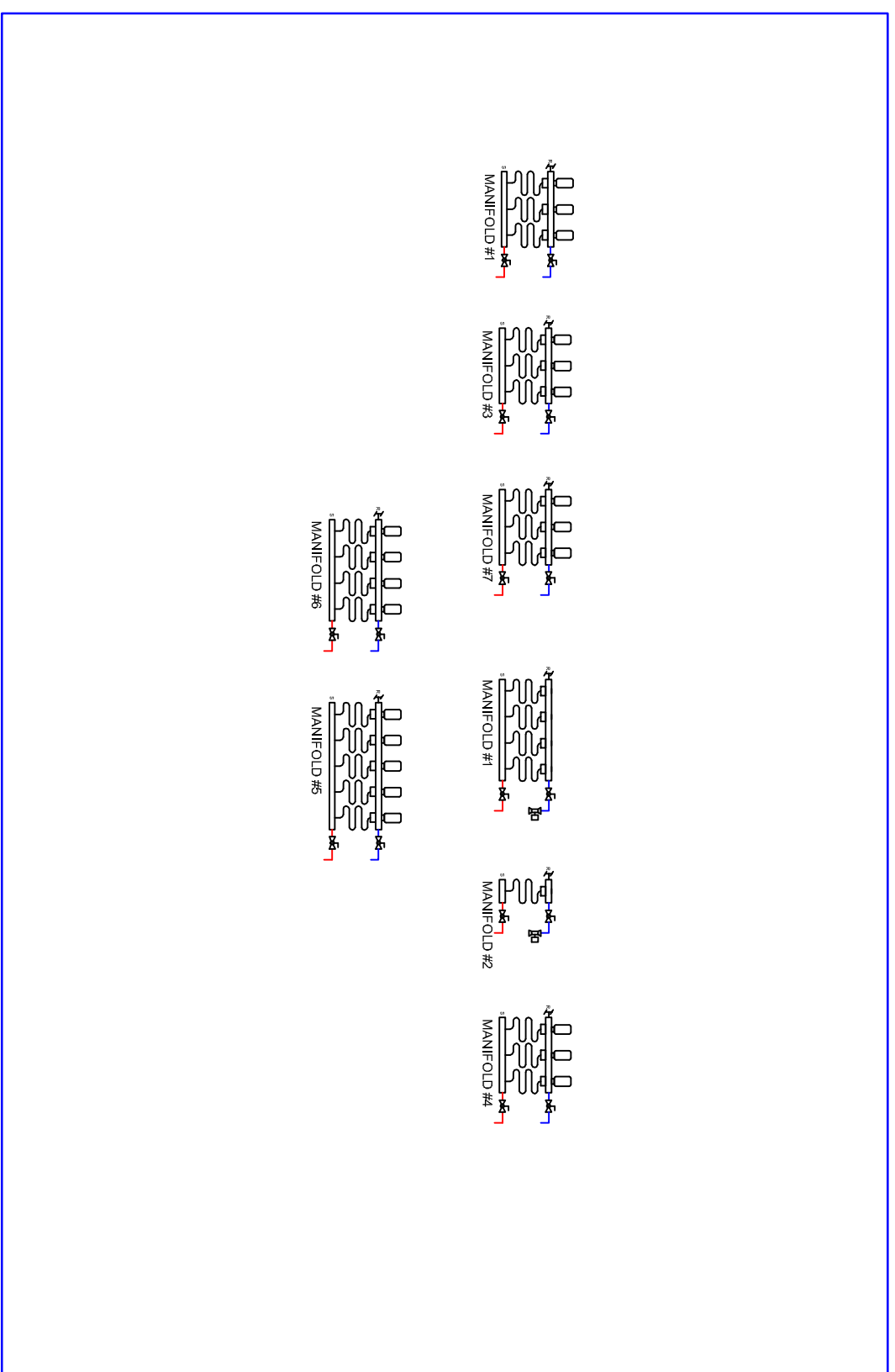
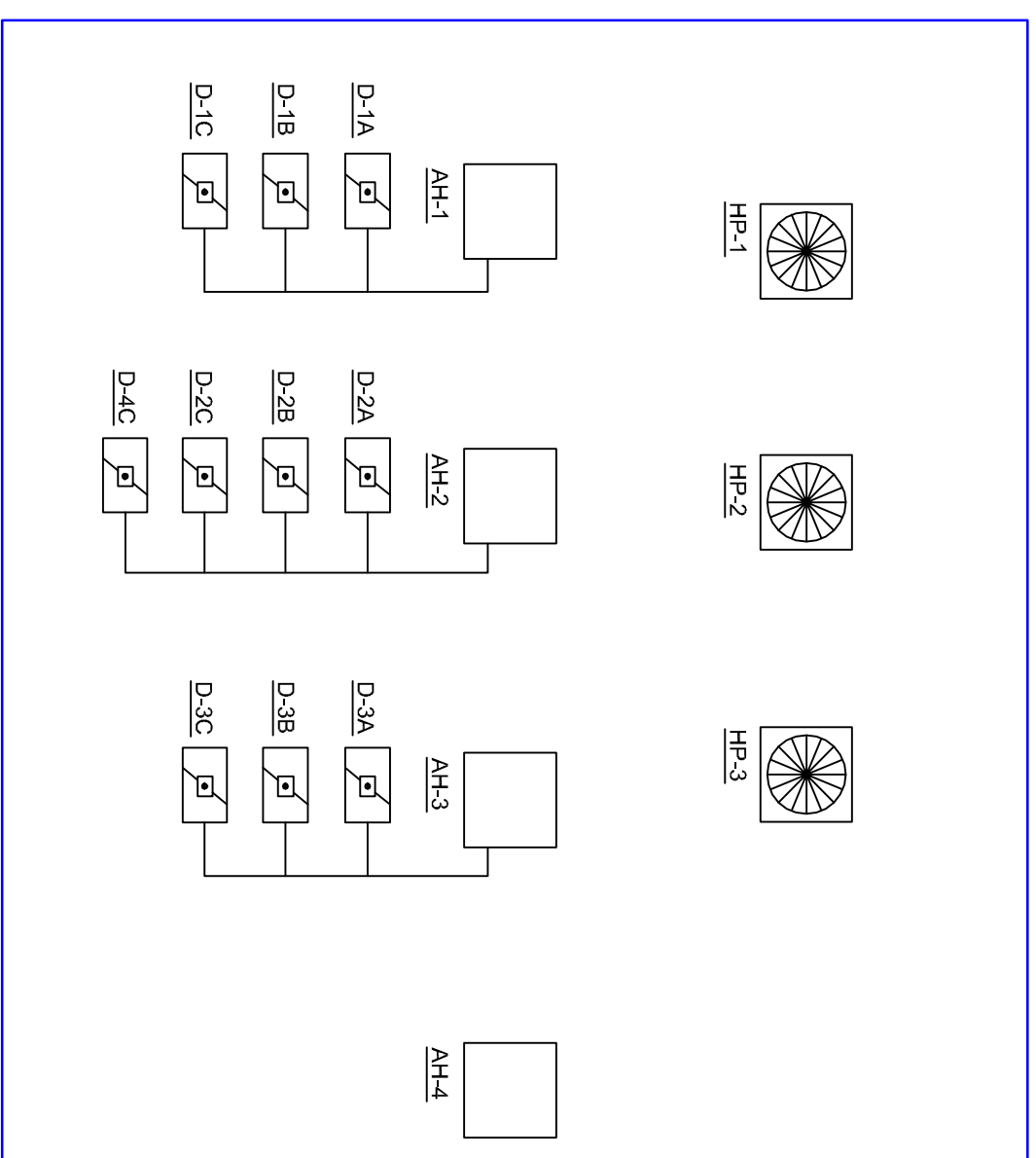
CLIMATE RIGHT SYSTEM AND  
PERIPHERAL EQUIPMENT  
DIAGRAM

REVISION: DATE

DATE: 5/02/2011  
SCALE: NONE

DRAWN BY: WAS  
SHEET:

CRS-1

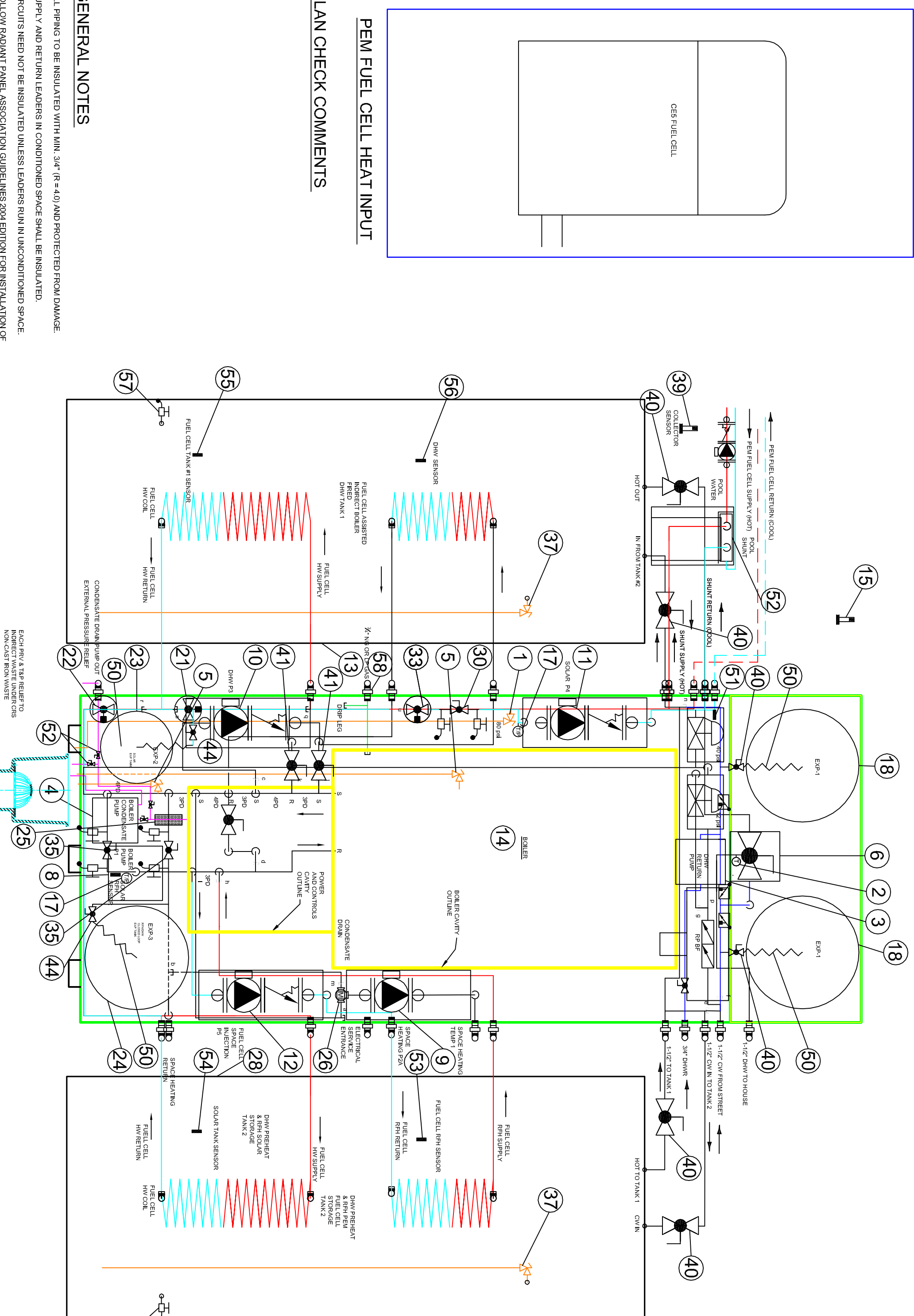


PLAN CHECK COMMENTS

- 1
- 2
- 3
- 4
- 5

GENERAL NOTES

- 1 ALL PIPING TO BE INSULATED WITH MIN. 3/4" (R=4.0) AND PROTECTED FROM DAMAGE.
- 2 SUPPLY AND RETURN LEADERS IN UNCONDITIONED SPACE SHALL BE INSULATED.
- 3 CIRCUITS NEED NOT BE INSULATED UNLESS LEADERS RUN IN UNCONDITIONED SPACE.
- 4 FOLLOW RADIANT PANEL ASSOCIATION GUIDELINES FOR EMISSION COEFFICIENTS AND RADIANT PANEL SYSTEMS AND SUPPLY SYSTEM STARTUP INSTRUCTIONS.
- 5 FOLLOW ALL MANUFACTURERS INSTALLATION GUIDELINES, LOCAL CODES AND ORDINANCES AS WELL AS LOCAL TRADE PRACTICES.



CLIMATE RIGHT SYSTEM FEATURES AND COMPONENTS

ITEM	COMPONENT	SETTING	SIZE	COE	MAKE AND MODEL
1	HEATING ZONE 1				
2	CONDENSATE PUMP	30" RPH	3/4"	1.4 GPM	WATTS SERIES 10A
3	HEATING SYSTEM PRESSURE RELIEF VALVE				WATTS SERIES 71A
4	SPACE HEATING FLOW METERS	3/4"	3/4"	1.4 GPM	CALFEY 112
5	ROCKER VALVE				WALO BRAND 3/4" WOOD-CRACK LABEL
6	SPACE HEAT FLOW THERM	1/4"	1/4"	2.10 WPM	WMO BRAND 1/4" 230-232 WMO-TA
7	INSULATED STORAGE TANK				LOCOWAY NUMBER 210
8	OUTDOOR TEMPERATURE SENSORS				COEM2 WITH KEELIN
9	AIR SEPARATOR	4/8	1-1/4"	1.4 GPM	WATTS 404H
10	TEMPERATURE GAUGE	1/4"	1/4"	1.4 GPM	APROPORTION 100 EQUIL W/ WEL
11	REDUCED PRESSURE BACKFLOW	1/4"	1/4"	1.4 GPM	WATTS 404H
12	EXPANSION TANK PORTING	1/4"	1/4"	1.4 GPM	WATTS 404H
13	EXPANSION TANK	1/4"	1/4"	1.4 GPM	WATTS 404H
14	CONDENSATE PUMP	30" RPH	3/4"	1.4 GPM	WATTS SERIES 10A
15	ROCKER VALVE				WALO BRAND 3/4" WOOD-CRACK LABEL
16	SPACE HEAT FLOW METERS	3/4"	3/4"	1.4 GPM	CALFEY 112
17	ROCKER VALVE				WALO BRAND 3/4" WOOD-CRACK LABEL
18	SPACE HEAT FLOW METERS	3/4"	3/4"	1.4 GPM	CALFEY 112
19	ROCKER VALVE				WALO BRAND 3/4" WOOD-CRACK LABEL
20	SPACE HEAT FLOW METERS	3/4"	3/4"	1.4 GPM	CALFEY 112
21	ROCKER VALVE				WALO BRAND 3/4" WOOD-CRACK LABEL
22	SPACE HEAT FLOW METERS	3/4"	3/4"	1.4 GPM	CALFEY 112
23	ROCKER VALVE				WALO BRAND 3/4" WOOD-CRACK LABEL
24	SPACE HEAT FLOW METERS	3/4"	3/4"	1.4 GPM	CALFEY 112
25	ROCKER VALVE				WALO BRAND 3/4" WOOD-CRACK LABEL
26	SPACE HEAT FLOW METERS	3/4"	3/4"	1.4 GPM	CALFEY 112
27	ROCKER VALVE				WALO BRAND 3/4" WOOD-CRACK LABEL
28	SPACE HEAT FLOW METERS	3/4"	3/4"	1.4 GPM	CALFEY 112
29	ROCKER VALVE				WALO BRAND 3/4" WOOD-CRACK LABEL
30	SPACE HEAT FLOW METERS	3/4"	3/4"	1.4 GPM	CALFEY 112
31	ROCKER VALVE				WALO BRAND 3/4" WOOD-CRACK LABEL
32	SPACE HEAT FLOW METERS	3/4"	3/4"	1.4 GPM	CALFEY 112
33	ROCKER VALVE				WALO BRAND 3/4" WOOD-CRACK LABEL
34	SPACE HEAT FLOW METERS	3/4"	3/4"	1.4 GPM	CALFEY 112
35	ROCKER VALVE				WALO BRAND 3/4" WOOD-CRACK LABEL
36	SPACE HEAT FLOW METERS	3/4"	3/4"	1.4 GPM	CALFEY 112
37	ROCKER VALVE				WALO BRAND 3/4" WOOD-CRACK LABEL
38	SPACE HEAT FLOW METERS	3/4"	3/4"	1.4 GPM	CALFEY 112
39	ROCKER VALVE				WALO BRAND 3/4" WOOD-CRACK LABEL
40	SPACE HEAT FLOW METERS	3/4"	3/4"	1.4 GPM	CALFEY 112
41	ROCKER VALVE				WALO BRAND 3/4" WOOD-CRACK LABEL
42	SPACE HEAT FLOW METERS	3/4"	3/4"	1.4 GPM	CALFEY 112
43	ROCKER VALVE				WALO BRAND 3/4" WOOD-CRACK LABEL
44	SPACE HEAT FLOW METERS	3/4"	3/4"	1.4 GPM	CALFEY 112
45	ROCKER VALVE				WALO BRAND 3/4" WOOD-CRACK LABEL
46	SPACE HEAT FLOW METERS	3/4"	3/4"	1.4 GPM	CALFEY 112
47	ROCKER VALVE				WALO BRAND 3/4" WOOD-CRACK LABEL
48	SPACE HEAT FLOW METERS	3/4"	3/4"	1.4 GPM	CALFEY 112
49	ROCKER VALVE				WALO BRAND 3/4" WOOD-CRACK LABEL
50	SPACE HEAT FLOW METERS	3/4"	3/4"	1.4 GPM	CALFEY 112
51	ROCKER VALVE				WALO BRAND 3/4" WOOD-CRACK LABEL
52	SPACE HEAT FLOW METERS	3/4"	3/4"	1.4 GPM	CALFEY 112
53	ROCKER VALVE				WALO BRAND 3/4" WOOD-CRACK LABEL
54	SPACE HEAT FLOW METERS	3/4"	3/4"	1.4 GPM	CALFEY 112
55	ROCKER VALVE				WALO BRAND 3/4" WOOD-CRACK LABEL
56	SPACE HEAT FLOW METERS	3/4"	3/4"	1.4 GPM	CALFEY 112
57	ROCKER VALVE				WALO BRAND 3/4" WOOD-CRACK LABEL

LIST OF SYMBOLS

	RADIANT FLOOR HEAT
	AIR CONDITIONING
	VENTILATION
	FUEL CELL HEAT INPUT
	CONDENSATE PUMP
	EXPANSION TANK
	PRESSURE RELIEF VALVE
	TEMPERATURE GAUGE
	FLOW METER
	AIR SEPARATOR
	REDUCED PRESSURE BACKFLOW
	BACKFLOW PREVENTER
	MANUAL VALVE
	ZONE VALVE
	CONTACT SENSOR
	TRANSPONDER
	FLAT PLATE SOLAR COLLECTOR
	FLOW METER
	ANTI-SIPHON VALVE
	Y STRAINER
	TEMPERATURE GAUGE
	PRESSURE REDUCING VALVE
	DIFFERENTIAL PRESSURE SENSOR
	3-WAY HANDOFF VALVE
	PRESSURE GAUGE
	4-WAY MOTORIZED SOLENOID VALVE
	MANUAL VALVE
	DUAL CHECK BACKFLOW PREVENTER
	FLOATING AIR VALVE
	UNION
	TEMPERATURE/PRESSURE RELAY
	PRESSURE GAUGE
	SYNCHRO RELAY
	THERMOSTAT FROM PROGRAMMABLE
	WESTINGHOUSE PLUG/FILL VALVE
	PRESSURE RELIEF SETTING
	TEMP & PRESSURE RELIEF VALVE
	VENTING TO OUTSIDE
	GAS VALVE
	LINE ON DIAGRAM
	INSULATING JACKET
	FAN COIL ELEMENT
	VOLUME DAMPER
	ADVANCED DAMPER

CLIMATE RIGHT SYSTEM COMPONENTS DIAGRAM

CRS-HTG -DHW-R-SLR-HV-SP-RPSSHLL

-PEM